

VMUG

User/con

the Netherlands

Three Reasons why to go for VMware UAG

Johan Dijkstra

- Senior Consultant
- Login Consultants – Login Online Desktop Team
- VMware vExpert 2018 / 2019
- Twitter : @jadijkstra60
- Blog : jadijkstra.nl
- E-mail : j.dijkstra@loginconsultants.nl

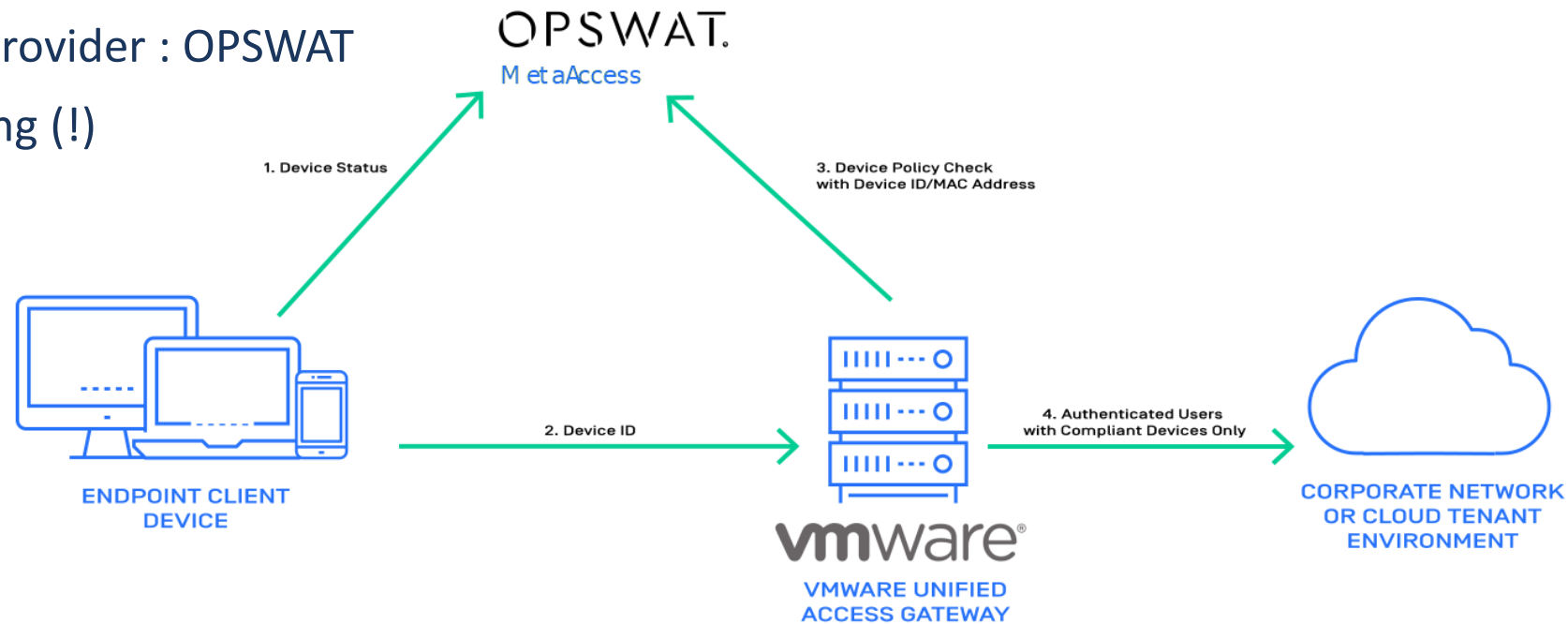


VMware UAG, what is it?

- VMware Unified Access Gateway
- The new standard for VMware Horizon Environments
 - Horizon 7
 - Horizon Cloud on Azure
 - Horizon Cloud with Hosted Infrastructure
 - Horizon Cloud on AWS
 - Horizon DaaS
- Secure
- Easy to implement
- Version/License model

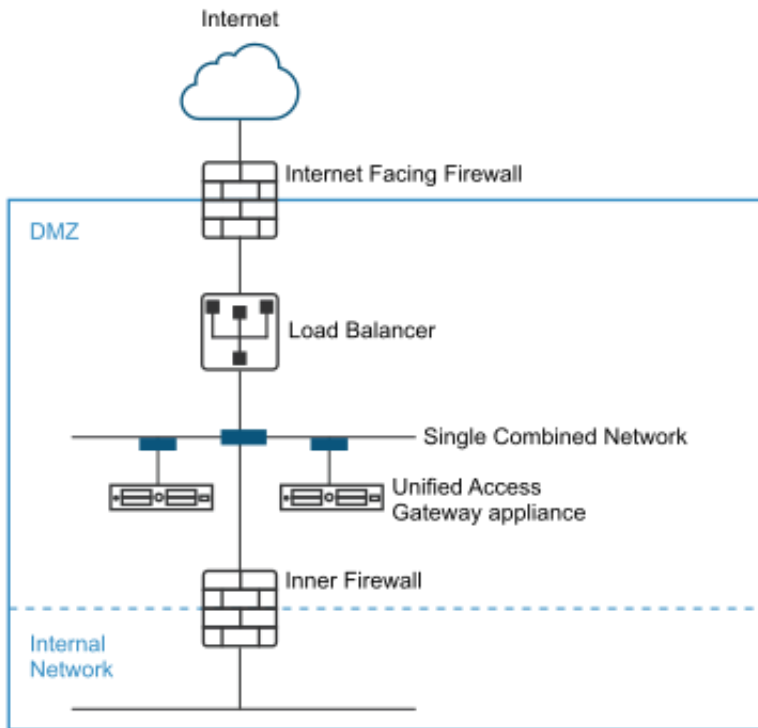
Security

- Secure by default -> Hardened Appliance
- No Windows platform
- Possibility to separate traffic
- Endpoint Compliance Check Provider : OPSWAT
- Qualsys SSLabs Security Rating (!)

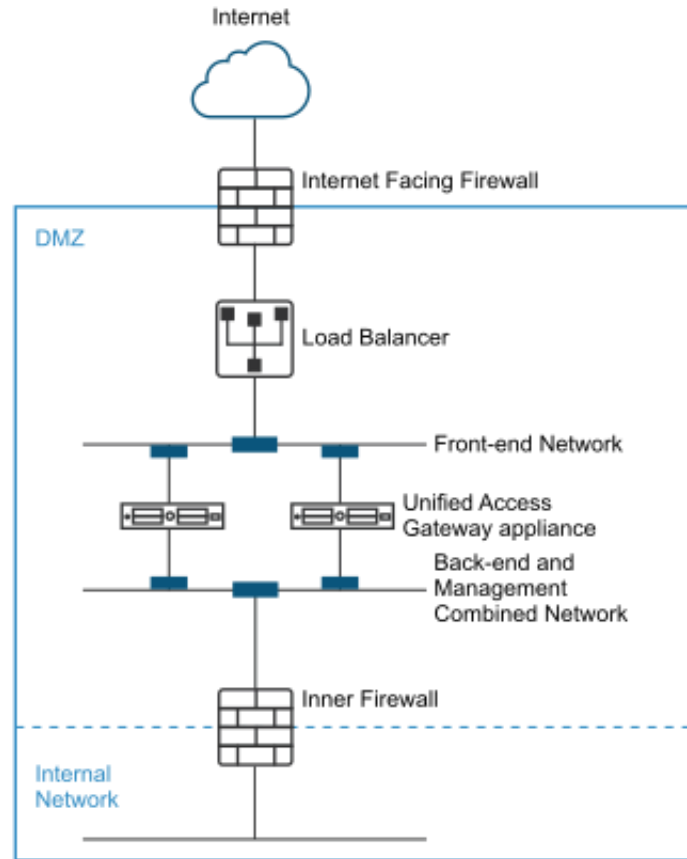


Separate Traffic

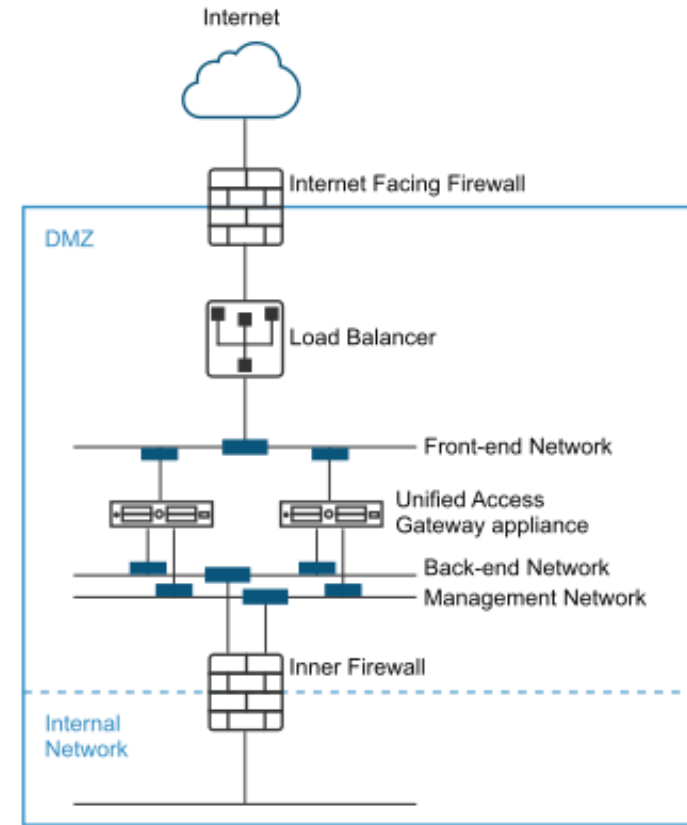
1 Network Interface



2 Network Interfaces



3 Network Interfaces



Installed UAG but SSL Labs Rates B

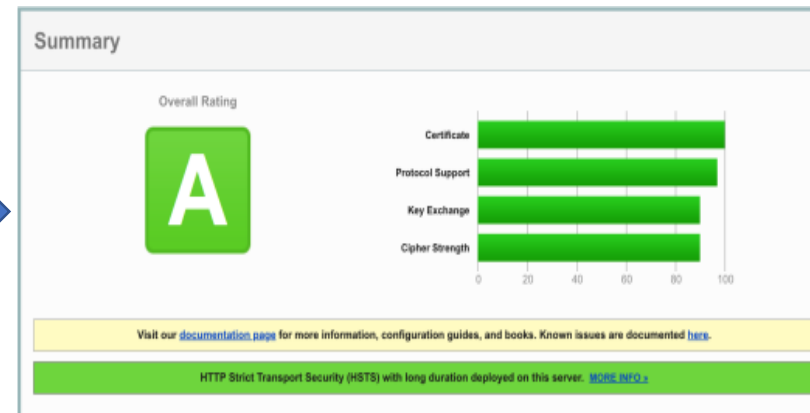
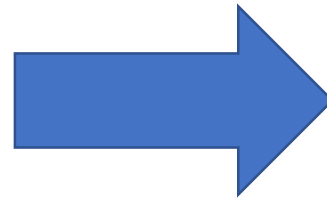
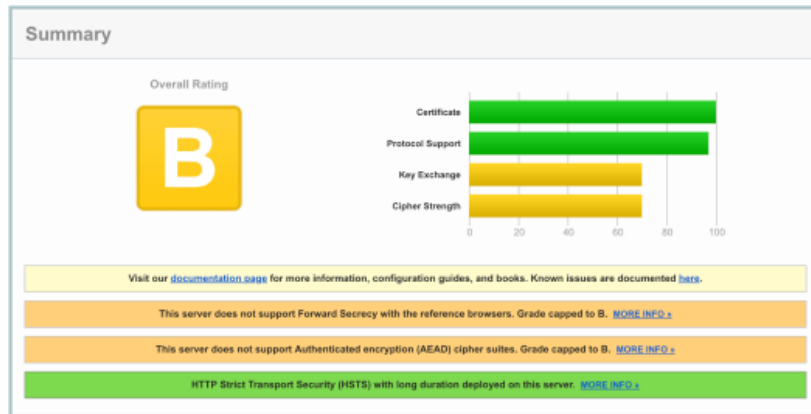
When this happens:

Enable Honor Cipher Order and change Cipher Suites from

TLS_ECDHE_RSA_WITH_AES_128_CBC_SHA256,TLS_ECDHE_RSA_WITH_AES_128_CBC_SHA,TLS_RSA_WITH_AES_128_CBC_SHA

To

TLS_ECDHE_RSA_WITH_AES_256_GCM_SHA384,TLS_ECDHE_RSA_WITH_AES_128_GCM_SHA256,TLS_ECDHE_RSA_WITH_AES_256_CBC_SHA384,TLS_ECDHE_RSA_WITH_AES_128_CBC_SHA256,TLS_ECDHE_RSA_WITH_AES_256_CBC_SHA,TLS_ECDHE_RSA_WITH_AES_128_CBC_SHA



Versions

Interoperability Matrix -> Which UAG Version – Product Version

https://www.vmware.com/resources/compatibility/sim/interop_matrix.php

Home > Resources > Compatibility Guides > Interoperability Matrix

VMware Product Interoperability Matrices

Interoperability Solution/Database Interoperability Upgrade Path

1. Select a Solution

If you do not know the *solution's* version leave it blank.

VMware Unified Access Gateway
AKA VMware Access Point

2. Add Platform/Solution

Add *platforms/solutions* to see if they are compatible with the selected *solution*.

VMware Horizon 7
AKA VMware Horizon (with View)

[+Add Another Solution](#)

Hide empty rows/columns Hide unsupported releases

- ✔ Compatible
- ✘ Incompatible
- Not supported

	VMware Unified Access Gateway							VMware Access Point
	3.5	3.4	3.3.1	3.3	3.2.1	3.2	3.1	2.5.1
▼ VMware Horizon 7								
7.7.0	✔	✔	✔	✔	✔	✔	✔	—
7.6.0	—	✔	✔	✔	✔	✔	✔	—
7.5.2	—	—	✔	✔	✔	✔	✔	—
7.5.1	—	—	✔	✔	✔	✔	✔	—
7.5.0	—	—	✔	✔	✔	✔	✔	—
7.4.1	—	—	—	✔	—	—	—	—
7.4.0	—	—	—	✔	✔	✔	✔	—
7.3.3	—	—	—	—	✔	✔	✔	—
7.3.2	—	—	—	—	✔	✔	✔	—
7.3.1	—	—	—	—	✔	—	✔	—
7.3.0	—	—	—	—	✔	—	✔	—
7.2.0	—	—	—	—	✔	—	✔	—
7.1.0	—	—	—	—	✔	—	✔	—
7.0.3	—	—	—	—	✔	—	✔	—
7.0.2	—	—	—	—	—	—	✔	—
7.0.1	—	—	—	—	—	—	✔	—

Licensing

- Standard
 - Edge service – Horizon, Content Gateway*, and Tunnel Edge Service
 - Pass through – No edge authentication
 - TLS Port sharing
- Advanced
 - Identity Bridging – Cert and SAML to Kerberos / Headers
 - DMZ AuthN / Edge auth- user and device auth – Certificate/Smart Card, SecureID, RADIUS
 - Web Reverse Proxy – without AuthN
- Enterprise
 - High Availability*
 - End Point Compliance
 - Web Reverse proxy – with AuthN*

Licensing depending on Horizon or Workspace ONE Solution!

* Indicates the edition and functionality that are not supported by FIPS version

Licensing – The good news

- Licensing model changed from VMware UAG 3.5 (since 12-03-2019)
- All functionality available in all Horizon & Workspace ONE editions!
- Please update Environment for supported configuration (!)



Implementation

- Easy to implement
 - Easy deployment
 - Scripted installation (powershell)
 - Manual installation
 - Easy Admin Console
- No need to pair with connection server
- Easy to upgrade
 - New Deployment
 - Upgrade with zero downtime
- Easy to scale
- 1, 2 or 3 NIC deployments...

High Availability

- Since 3.4 High Availability available
- ~~Only available on Enterprise License Model~~
- Best way to implement : scripted installation! To keep configuration aligned

Installation Demo

Three Reasons to go for VMware UAG

- Security:

- Hardened by default
- Possible to separate traffic : Front-End, Back-End, Management

- Implementation:

- Linux appliance easy to deploy & configure without Linux skills, downside : you might need Linux Skills for troubleshooting
- Easy deployment with OVF or Powershell Script
- No need for pairing with Connection Servers*
- Easy to configure HA (from version 3.4)

- Version/Licensing

- Interoperability Matrix(!)
- UAG 3.3.1 and newer: Standard, Advanced & Enterprise
- UAG 3.5 : no license model anymore

Conclusion

- More secure
- Easy to implement
- Easy to upgrade
- Easy to maintain
- Easy to scale
- High Availability
- Better Performance

VMUG
User/con